

# TM4<sup>®</sup> MOTIVE<sup>™</sup>

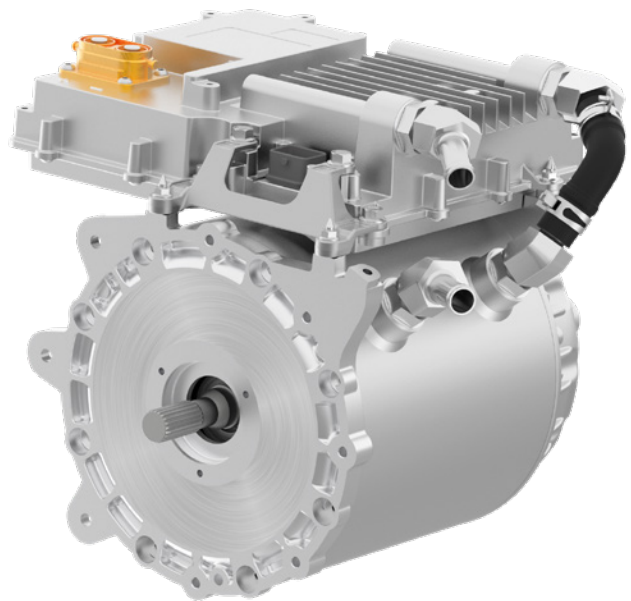
## Integrated Motor and Inverter

### Product Benefits

- Integrated motor and inverter system
- Compact solution: inverter 33% smaller than previous generation
- Designed according to ISO26262 ASIL-C principles
- Seamless integration into Dana's gearboxes and axles

### Product Features

- Peak power: 150 kW
- Peak torque: 360 Nm
- Max operating speed: 11,000 RPM



Optimized for passenger cars applications and up to class 2 commercial vehicles



# TM4® MOTIVE™

The TM4 MOTIVE™ series features integrated permanent magnet electric motors and power-dense electronic inverters. Designed according to ISO26262 standards, these systems are efficient turnkey solutions created expressly for light-duty electric vehicle and hybrid vehicle applications.

## System Features

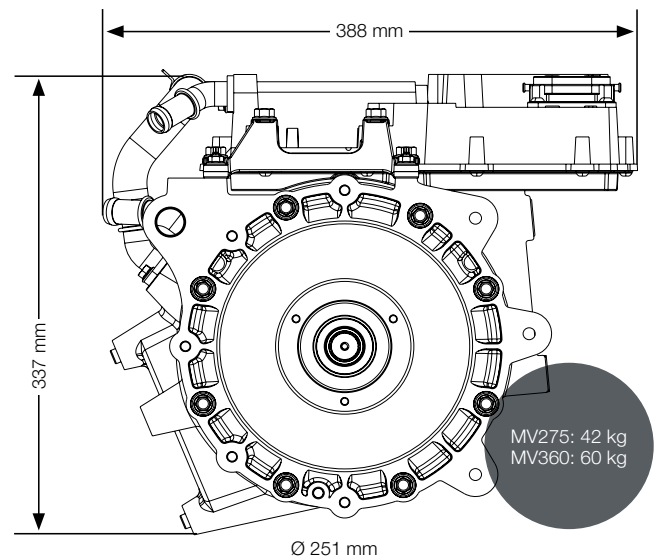
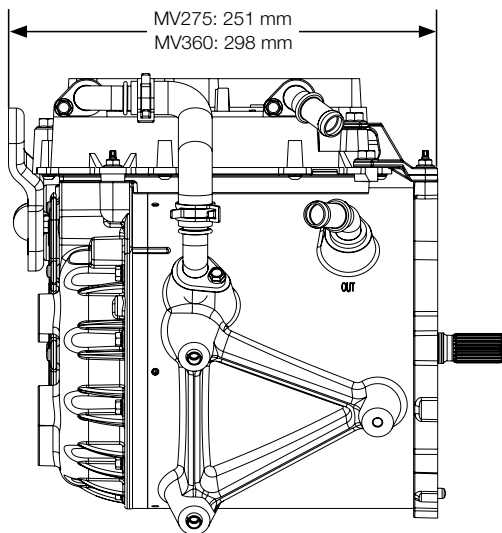
- 3-phase permanent magnet motor
- High specific torque/power system
- Low electro-magnetic audible noise
- Low-cogging and ripple torque for better NVH
- Thermal protection
- Variable switching frequency
- Medium voltage inverter (450 Vdc max)
- Reflex™ gate driver technology for high power and current densities

## Standards

- System protection: IP 69K
- Max coolant inlet temperature: 65°C
- Coolant type: 40/60 water-glycol
- Toxic materials and flammability: ROHS, ELV, UL94-V0
- External corrosion resistance: Salt mist, chemical products

SYSTEM	Peak power(kW)	Continuous power (kW)	Peak torque (Nm)	Continuous torque (Nm)	Max operating speed (RPM)
<b>TM4 MOTIVE MV275</b>	120 kW	70 kW	275 Nm	120 Nm	11,000 RPM
<b>TM4 MOTIVE MV360</b>	150 kW	90 kW	360 Nm	230 Nm	11,000 RPM

450 Vdc, 30 seconds, 45°C  
Specifications are subject to change



**TM4**  
135 J.-A. Bombardier - Suite 25  
Boucherville, Québec  
Canada  
J4B 8P1  
+1 450.645.1444

Visit [TM4.com](http://TM4.com) to learn more.

tm4

