

TM4 NEURO™ 200

Vehicle controller



Fully programmable controller

TM4 NEURO™ 200 is a fully programmable controller designed to be used as the main vehicle management unit. Engineered according to ISO26262 principles for the latest safety and quality standards in place for electric and hybrid vehicles, it enables the development of multiple control features by interacting closely with the man-machine interface, traction system and other components.

TM4 SynApps™ development environment

- Open software architecture
- Industry-standard, model-based design in a MATLAB®/Simulink® environment
- Compatible with TM4 ODIN diagnostic & calibration tool
- Optional advanced vehicle control libraries for performance, comfort and drivability

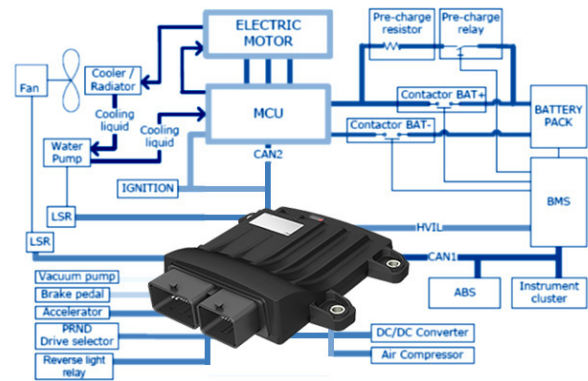
Applications

- Electric & hybrid passenger and commercial vehicles control
- TM4 SUMO™ & TM4 MOTIVE™ powertrain management
- Vehicle auxiliary management

HARDWARE CHARACTERISTICS

FEATURES

Processor	Texas Instruments TMS570LC4357 Dual-Core 300Mhz Lockstep CPU ARM Cortex-R5F 4MB Flash with ECC 512KB of RAM with ECC 32-Bit RISC
Connector	Molex CMC 80 pins
Communication	4 CAN 2.0b and 1 optional LIN
Material	Encapsulated with thermoplastic
Optional features	Wi-Fi single-band 2.4 GHz Real-time clock LIN Additional EEPROM External Flash

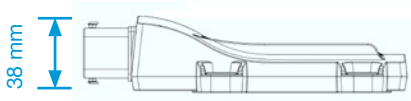
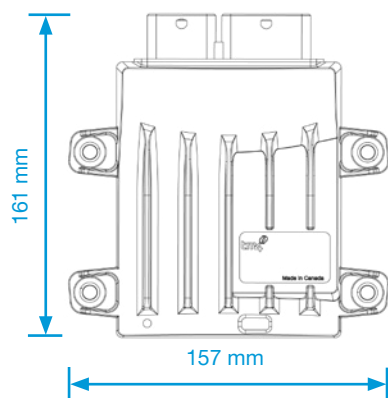


INPUTS		OUTPUTS	
Analog inputs	8 general purpose	High-side outputs	4 x 1.5A with current sensor 2 x 3A with current sensor
Digital Inputs	14 configurable (active low or high)	Low-side outputs	10 x 0.5A 4 x 0.1A 2 x 2A <small>can be used as a PWM</small>
Temperature sensors	2 configurable RTD100 or RTD1000 1 configurable NTC or KTY 1 dedicated KTY	Indicator	1 green Power Good 1 green user controlled 2 red user controlled


OTHER SPECIFICATIONS

Weight	0.50 kg
Operating voltage range	8 - 32 V _{dc}
Operating temperature	-40°C - 85°C
System protection	IP6k9k
Wireless communication	IEEE 802.11 b/g/n

DIMENSIONS



CONTACT

 135 J-A Bombardier
Suite 25
Boucherville, Québec
Canada
J4B 8P1

 Phone: +1-450-645-1444

www.tm4.com