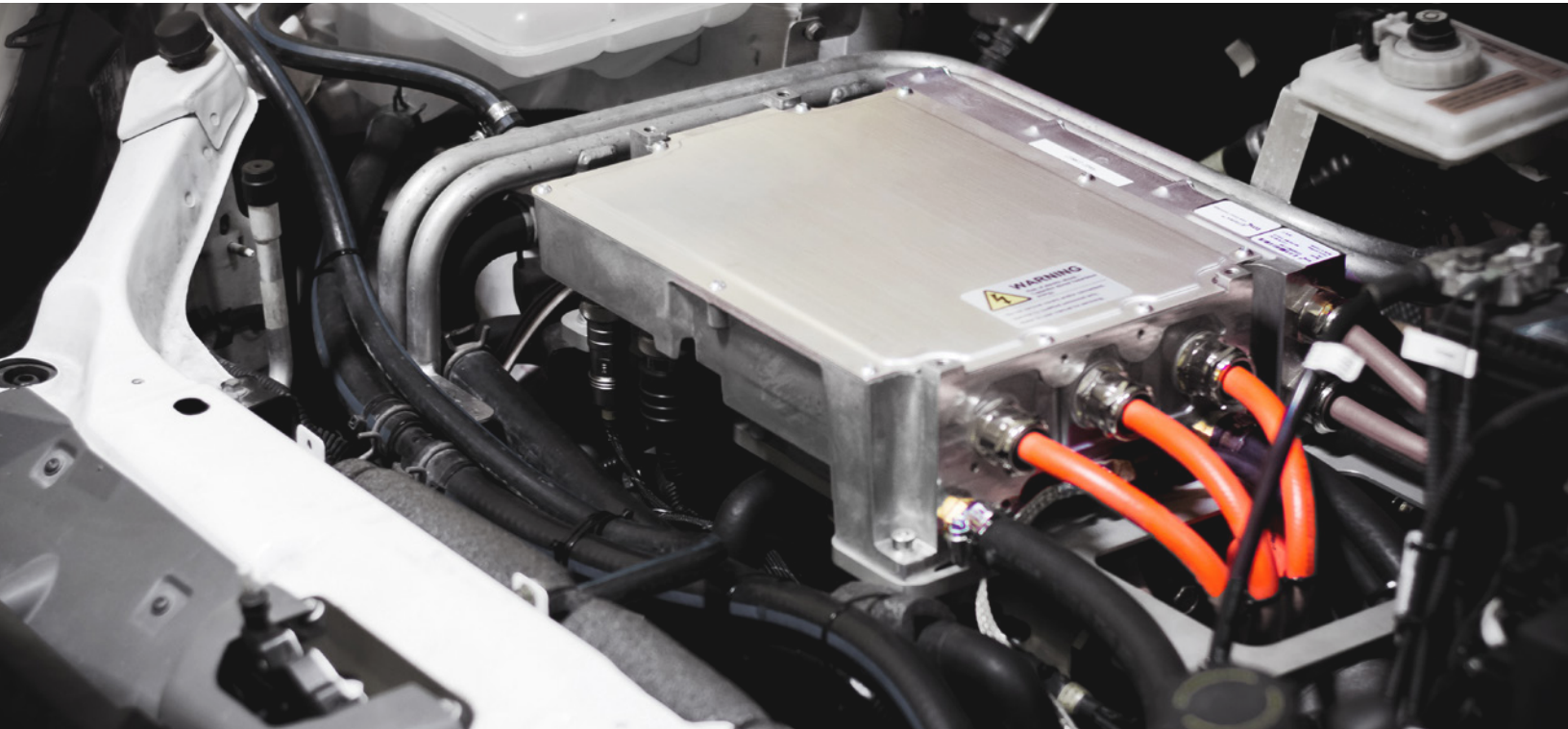


# TM4 CO150

motor controller/inverter

tm4



## Powering innovation

Introducing TM4 CO150 motor controller / inverter designed for electric and hybrid vehicles. This inverter utilizes the latest technology of automotive grade insulated-gate bipolar transistors (IGBT) to deliver the industry's highest specific power and current densities. It is embedded with advanced control algorithms for optimal power module usage and efficiency. Combining hardware and software innovations, the Reflex™ gate driver technology anticipates a voltage peak on the IGBT, and it ensures that it never reaches the voltage limit.

### Applications

- Electric & hybrid vehicle motorization
- Motor / generator control
- Variable frequency DC-AC converter

### Key features

- High power & current densities
- Reflex™ gate driver technology
- Compatible with third party PM motors

## INVERTER FEATURES

### HARDWARE FEATURES

- High power and current densities
- Uses Reflex™ gate driver technology
- Multiple resolver/encoder compatibility
- Multiple terminal options
- High efficiency
- Variable switching frequency

### OTHER

- The CO150 is also offered as a auxiliary inverter

## SPECIFICATIONS

INVERTER	Max electrical output power	Max output current	Max blocked rotor current	Max electrical frequency	Performance voltage
<b>CO150</b>	150 kW <sup>1</sup>	575 Arms	650 Adc	1.25 kHz	320-450 Vdc
<b>CO150HV</b>	170 kW <sup>2</sup>	350 Arms	375 Adc	750 Hz	500-750 Vdc

Specifications are subject to change

<sup>1</sup> 450 Vdc, 30 seconds, 65°C

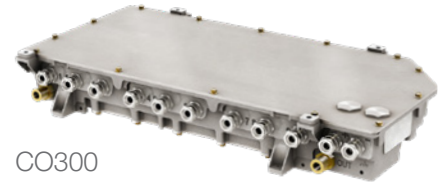
<sup>2</sup> 750 Vdc, 30 seconds, 65°C

## MULTI-PHASE OPTION

TM4 also offers its CO200 6 phase and CO300 9 phase inverters as an alternative for high power electric & hybrid vehicle motor / generator control needs.

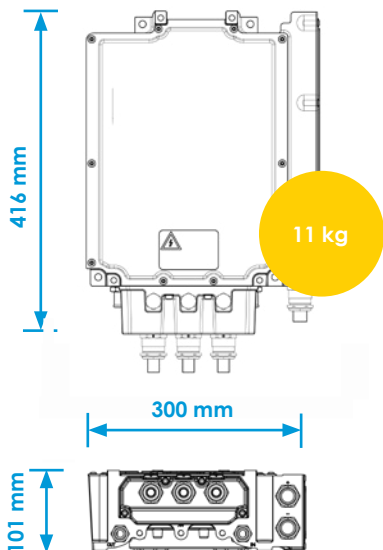


CO200



CO300

## DIMENSIONS



## CONTACT



135 J-A Bombardier  
Suite 25  
Boucherville, Québec  
Canada  
J4B 8P1



Phone: +1-450-645-1444

[www.tm4.com](http://www.tm4.com)