

# TM4 NEURO 200

## OPEN CONTROLLER



## TAKE CONTROL

TM4 NEURO™ 200 is a fully programmable controller designed to be used as the main vehicle management unit. Engineered according to ISO26262 principles for the latest safety and quality standards in place for electric and hybrid vehicles, it enables the development of multiple control features by interacting closely with the man-machine interface, traction system and other components.

By using the new TM4 SynApps™ platform, developers will be able to elaborate and test control algorithms rapidly and seamlessly in a MATLAB®/Simulink® environment. Once completed, the software can be easily programmed on the unit using TM4's configuration tools.

---

### TM4 SynApps™ development environment

---

- Open software architecture
- Industry-standard, model-based design in a MATLAB®/Simulink® environment
- Compatible with TM4 ODIN diagnostic & calibration tool
- Optional advanced vehicle control libraries for performance, comfort and drivability

---

### Applications

---

- Electric & hybrid passenger and commercial vehicles control
- TM4 SUMO™ & TM4 MOTIVE® powertrain management
- Vehicle auxiliary management

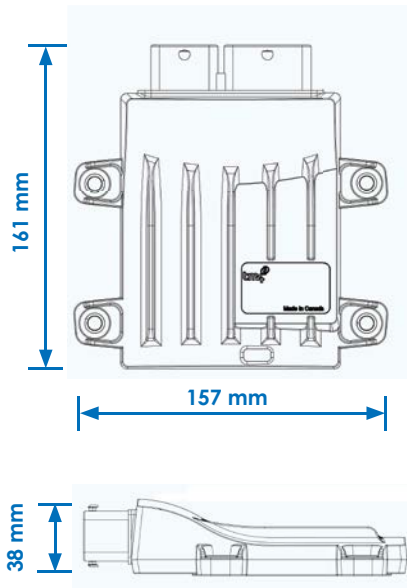
## HARDWARE CHARACTERISTICS

FEATURES	
<b>Processor</b>	<b>Texas Instruments TMS570LC4357</b> Dual-Core 300Mhz Lockstep CPU ARM Cortex-R5F 4MB Flash with ECC 512KB of RAM with ECC 32-Bit RISC
<b>Connector</b>	Molex CMC 80 pins
<b>Communication</b>	4 CAN 2.0b and 1 optional LIN
<b>Material</b>	Encapsulated with thermoplastic
<b>Optional features</b>	Wi-Fi single-band 2.4 Ghz Real-time clock LIN Additional EEPROM External Flash

INPUTS		OUTPUTS	
<b>Analog inputs</b>	8 general purpose	<b>High-side outputs</b>	4 x 1.5A with current sensor 2 x 3A with current sensor
<b>Digital Inputs</b>	14 configurable (active low or high)	<b>Low-side outputs</b>	10 x 0.5A 4 x 0.1A 2 x 2A <small>can be used as a PWM</small>
<b>Temperature sensors</b>	2 configurable RTD100 or RTD1000 1 configurable NTC or KTY 1 dedicated KTY	<b>Indicator</b>	1 green Power Good 1 green user controlled 2 red user controlled

OTHER SPECIFICATIONS	
<b>Weight</b>	0.50 kg / 1.105 kg
<b>Operating voltage range</b>	8 - 32 V <sub>dc</sub>
<b>Operating temperature</b>	-40°C - 85°C
<b>System protection</b>	IP6k9k
<b>Wireless communication</b>	IEEE 802.11 b/g/n

## DIMENSIONS



## CONTACT



135 J-A Bombardier  
Suite 25  
Boucherville, Québec  
Canada  
J4B 8P1



Phone: +1-450-645-1444

[www.tm4.com](http://www.tm4.com)