

TM4 CO150-HVF

AUXILIARY INVERTER / VOLTAGE SOURCE



KEY FEATURES

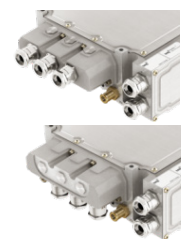
- High power & current densities
- Configurable voltage and frequency
- 3-phase output

POWERING INNOVATION

Introducing the CO150-HVF for auxiliary power supply in commercial vehicle applications. Based on the same platform as the proven CO150 traction inverters, the CO150-HVF offers a CAN-based interface that allows to dynamically control the frequency and output voltage for electric vehicle accessory applications (i.e. pumps, fans or compressors) for use with a 3-phase AC induction motor. This feature opens the door to the use of variable speed accessories and reduces the average consumption of auxiliaries. In addition, several information available on the CAN allow to know the status of the inverter and its load, therefore enabling advanced control functions. This compact system is the ideal power source for your vehicles' AC powered devices.



CO150-HVF



terminal options

APPLICATIONS

- Auxiliary power supply
- Generator?

INVERTER FEATURES

HARDWARE FEATURES

- High power and current densities
- Uses Reflex™ gate driver technology
- Configurable voltage and frequency
3-phase output
- High efficiency (97.5%)
- Uses proven CO150 motor controller platform

SOFTWARE FEATURES

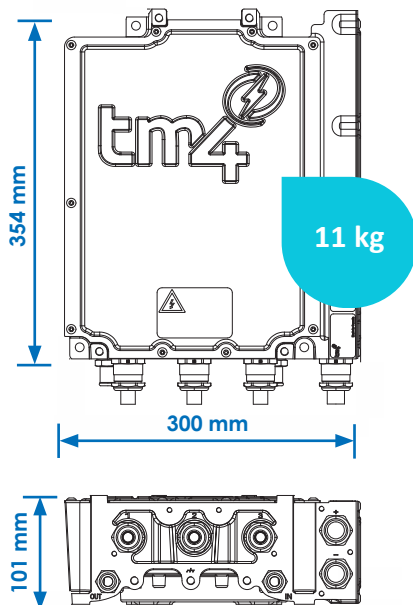
- Temperature sensing for system protection
- Advanced diagnostic capabilities (TM4 ODIN)
- Switching fault detection
- Client configurable parameters
 - AC V/f ratio
 - AC current limit
 - DC voltage limits
 - Load parameters
- Dynamic control over CAN
 - Soft start/stop
 - AC frequency (open loop speed control of AC motors)
 - Field rotation direction

SPECIFICATIONS

INVERTER	Max electrical output power	Max output current	Operating battery voltage	Output frequency	Auxiliary supply voltage (nominal)	Max switching frequency
CO150-HVF	116 kVA ¹	0-200 Arms	300-750 Vdc	0-500 Hz	12-24 Vdc	16 KHZ

Specifications are subject to change
¹ 500 Vdc, 30 seconds, 65°C

DIMENSIONS



COORDINATES



135 J-A Bombardier
Suite 25
Boucherville, Québec
Canada
J4B 8P1



Phone: +1-450-645-1444

www.tm4.com

